

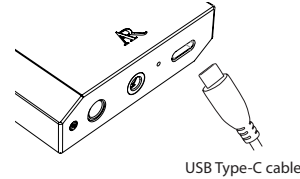
Congratulations on purchasing your new Acoustic Research High Resolution Music Player.
Please read these instructions for quick tips on using the Player.

Getting Started

1. Charging your Player

- Charge the Player with USB Type-C cable (included) and USB power adapter conforming with the USB Battery Charging Specifications 1.2 or above (not supplied)
- Power adapter with 5V 1A or above is recommended for faster charging.
- Please charge the player **for at least 6 hours** before using for the first time.
- For subsequent normal charging, it should take about 3 hours to fully charge the unit with 5V 1A adapter.
- Alternatively, the Player charges automatically every time you connect it to your computer (5V 500mA USB port is required). Charging process may be slower and the charging time depends on the current output of the USB port

Acoustic Research M200 Music Player



- * Charge the Player with USB Type-C cable
- * Use only USB power adapter conforming with USB Battery Charging Specifications 1.2 or above (not supplied)
- * Image is for reference only, the AC/DC adapter shown in the image may vary from the actual product
- * Music playback during battery charging is possible, but it will slow down the charging process

2. Install or remove microSD card

- Please note that only FAT and FAT32 file systems are supported. High capacity (64GB or above) card pre-formatted in exFAT has to be reformatted into FAT32 file system before use. The format option in the Settings menu of the player is capable of performing the necessary reformatting.
- Gently insert a microSD card* into the microSD expansion slot.
- Before removing a microSD card, please ensure that music playback is stopped. Gently push the card in to slowly release it.

3. Transfer audio files to your Player

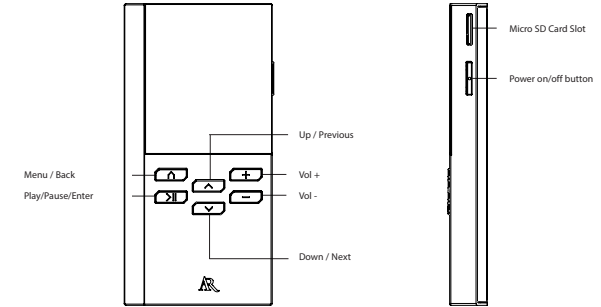
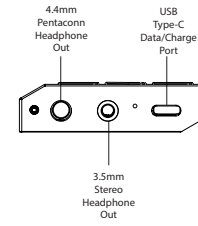
Windows 7/Windows 8/Windows 10:

- Connect your Player to the computer.
- Open **Windows Explorer**, select **Computer**, both internal memory and SD card will be shown as removable drive(s) under Devices with Removable Storage or Devices and Drives.
- Open the desired storage media (internal memory or micro SD card).
- Drag-and-drop audio files (or folders containing audio files) to the desired destination.
- Do not unplug the player when file transfer is in progress.

Mac OS X (10.5 or above):

- Connect your Player to the computer.
- Internal memory and SD card will be mounted as disk drives on Desktop and under Devices in Finder
- Open the desired mounted disk drive.
- Drag-and-drop audio files (or folders containing audio files) to the desired destination.
- Do not unplug the player when file transfer is in progress.
- After the file transfer is done, click Eject next to the drives in Finder (or drag the mounted drive to the Trash on the Dock) to unmount the drives.

* Up to 256GB Micro SDXC cards have been tested on Acoustic Research M200 Music Player.
64GB and above card (preformatted in exFAT file system) MUST be formatted to FAT32 before use.



Switch on the Player	Press and hold the Power button for 3 seconds
Switch off the Player	Press and hold the Power button for 3 seconds The player will also switch off automatically when there is no music playback nor user interaction (10 minutes by default)
Switch off the display	When the display is on, press the Power button The display will also switch off automatically after a period of inactivity (3 minutes by default)
Switch on the display	When the display is off, press the Power button
Enter an option / Make a selection	Press > button
Return to previous level	Press ^ button
Navigate up/left	Press ^ button
Navigate down/right	Press v button
Pause playback	Press the > during music playback Press again to resume
Force shutdown the Player (if it is not responding)	Press and hold Power button for 10 seconds to force shutdown the Player.
Increase the volume	Press + button
Decrease the volume	Press - button

Using M200 as a Bluetooth Audio Receiver

- In the top level menu, select the second icon (Bluetooth Audio Receiver) and press >|| button
- Select Yes and press to enable Bluetooth
- Select Connect / Disconnect to enable pairing mode
- On your smart phone or tablet, enter the Bluetooth option and start the device search (if it does not take place automatically)
- Look for M200_XXXX (where XXXX is device dependent) and pair with it
- Once the devices are paired, you may check the information of the paired device in Status option.

Need more help? Do not return this product to the store.
Visit www.acousticresearch-hifi.com for the user manual and FAQ's.

VOXX ELECTRONICS CORP. (the Company) warrants to the original retail purchaser of this product that should this product or any part thereof, under normal use and conditions, be proven defective in material or workmanship within 12 months from the date of original purchase, such defect(s) will be repaired or replaced with reconditioned product (at the Company's option) without charge for parts and repair labor.

To obtain repair or replacement within the terms of warranty in US, please contact the company for instructions at 844-353-107. Proof of warranty coverage (e.g. dated bill of sales), specification of defect(s), and transportation prepaid, to the company must be provided.