



# **32" FULL HD CURVED FREESYNC MONITOR**

**1920 X 1080, 75HZ**

KAMN32FCSA



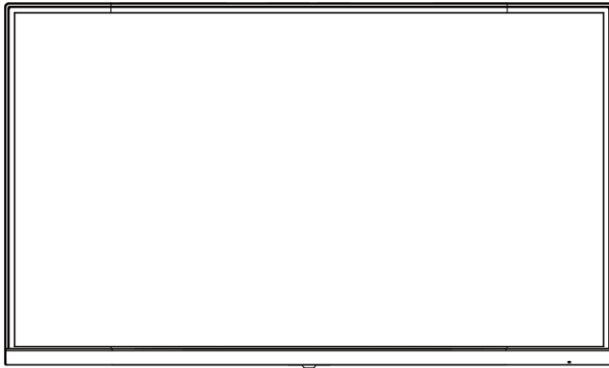
# SAFETY & WARNINGS

- Read all instructions before using this monitor and retain this user guide for future reference.
- This monitor is designed with ventilation holes on the back of the casing. Do not cover or block them.
- Do not insert any object or spray any liquid into the vents.
- Avoid placing the monitor near heaters, stoves, fireplaces or other sources of heat, as well as in rooms lacking adequate ventilation.
- Do not position the monitor in unsafe locations. If the monitor falls, it may be damaged and may injure nearby people.
- Unplug the monitor if it is not going to be used for an extended period.
- Do not place heavy objects on the monitor, its power cord or any connected cable.
- Do not open the back panel of the monitor as it contains a high-voltage current even when not plugged in.
- There is a polariser layer (not a protective film) on the surface of the screen. Do not peel it off or the monitor may be damaged.

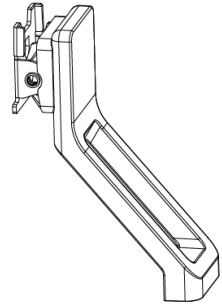


The terms HDMI and HDMI High-Definition Multimedia Interface and the HDMI logo are trademarks or registered trademarks of HDMI Licensing Administrator, Inc. in the United States and other countries.

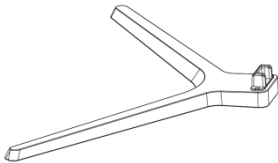
# COMPONENTS



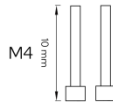
Monitor



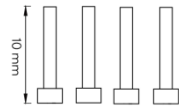
Stand arm



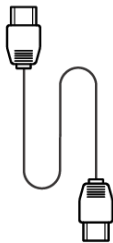
Stand base



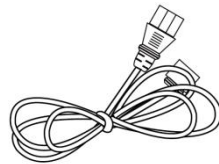
M4x10mm Screw (x2)



VESA screws (x4)



HDMI cable



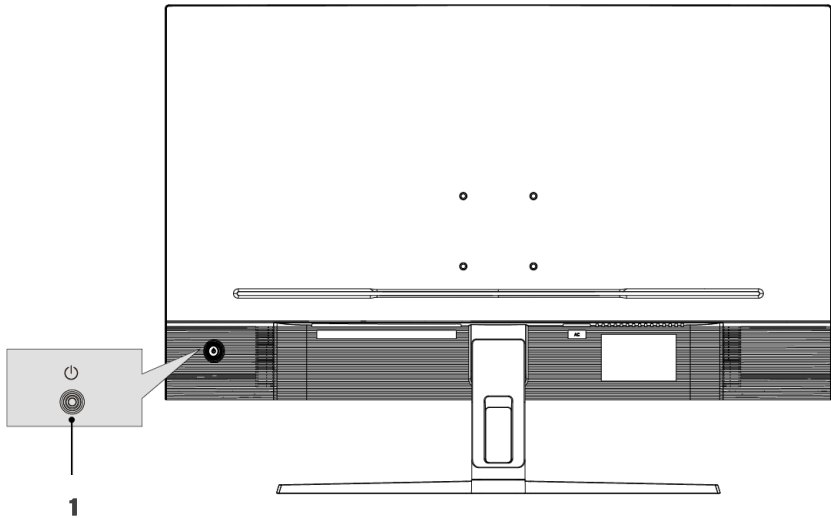
Power cable



User guide

# OVERVIEW

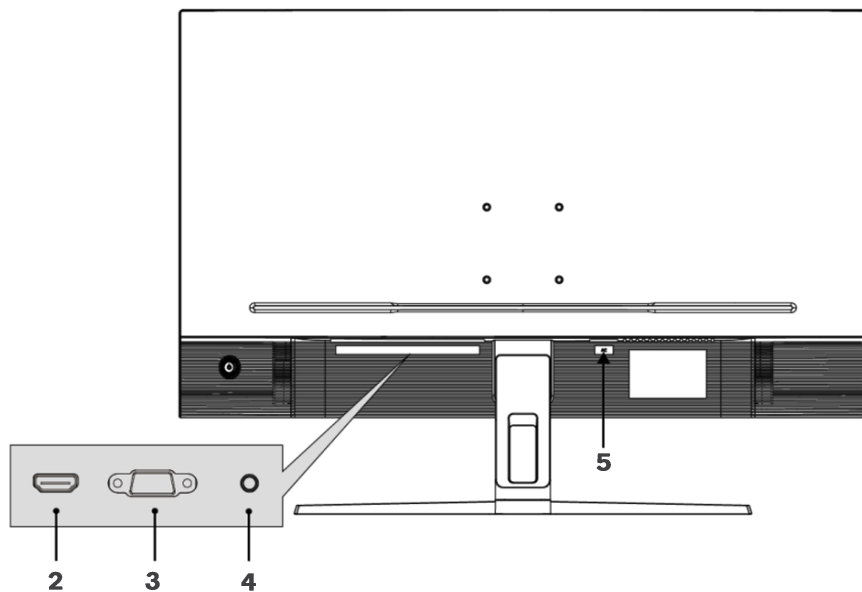
## Monitor Controls



### 1. Power button

- Press and hold the power button for 6 seconds to turn your monitor on/off.
- If the monitor has gone to sleep, press the power button to wake up the display.
- In addition to its power function, the power button also serves as a directional button. When navigating the on-screen menu, you can use the power button to move up, down, left, and right, just like a joystick. This makes it easy to navigate through the monitor's settings and options.

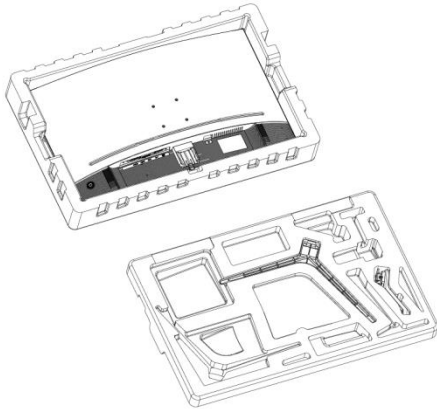
## Monitor Ports



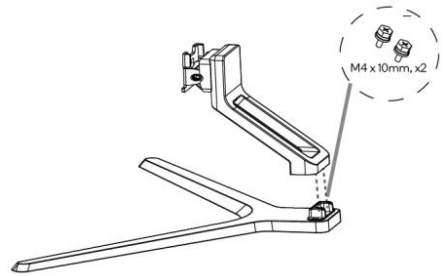
- 2** HDMI port
- 3** VGA port
- 4** Audio in (3.5mm)
- 5** Power input port

# STAND ASSEMBLY

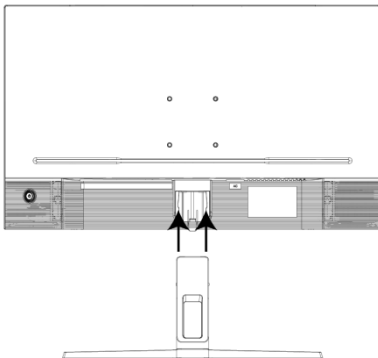
**WARNING:** The panel of the monitor is fragile. Keep the foam underneath the monitor screen while assembling the stand.



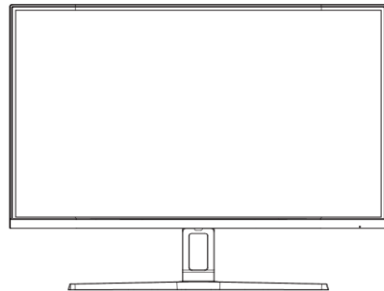
1. Carefully remove the monitor, stand arm and stand base from the box.



2. Attach the stand base to the stand arm using the M4 screws provided.



3. Insert the connection block into the rear of the monitor and push down until firmly connected.



4. Lift the monitor up and remove the bottom foam. Stand the monitor up on the installed base.

# VESA MOUNT

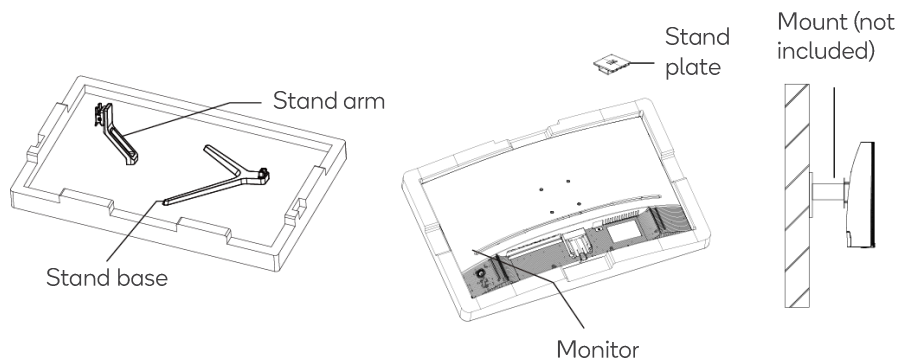


VESA mounting pattern 75 x 75mm, screw size M4.

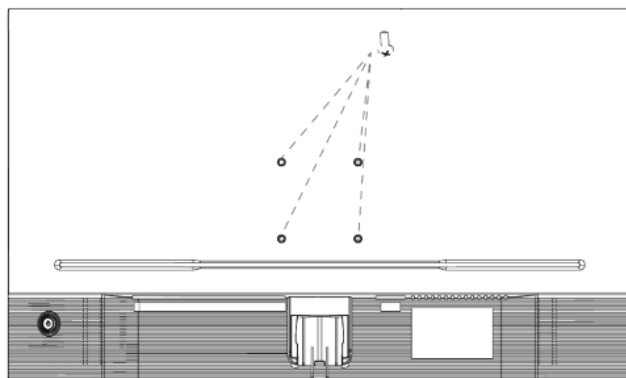
**Note:** VESA mount and mounting accessories are not included.

1. Open the box, take out the monitor with protective foam attached and gently place it on a desktop or table. Remove all components and the protective foam from the back of the monitor.

If the monitor is already attached to the stand, press the quick release button to remove the stand plate and detach the stand.



2. Assemble the mount as per the instructions provided with the mount.

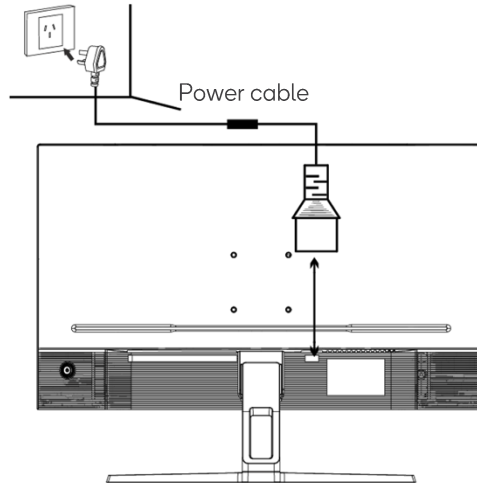




# CONNECTIVITY

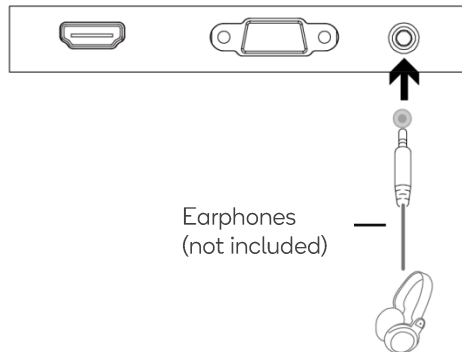
## Power Cable

Connect the included power cable to the monitor power port, then connect the other end to a power outlet.



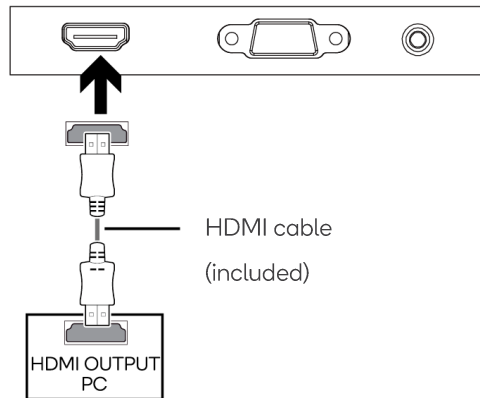
## Earphones (Audio Out)

Earphones, headphones or other audio devices can be connected to the 3.5mm audio port (Audio Out) on the monitor. The monitor may need to be set as the PC's default sound output device.



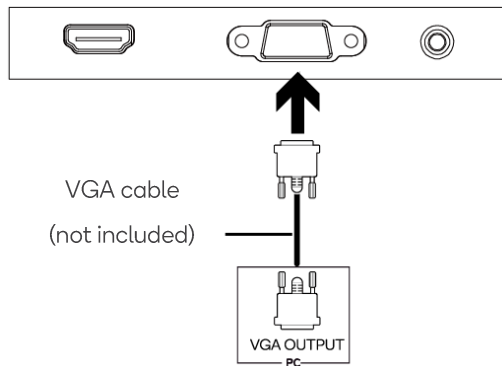
## HDMI

In order for the monitor to receive HDMI signals from the computer, use the HDMI cable to connect the monitor to the computer.



## VGA

Connect a computer, DVD/Blu-ray player or console to the monitor using a VGA cable.



# OPERATION

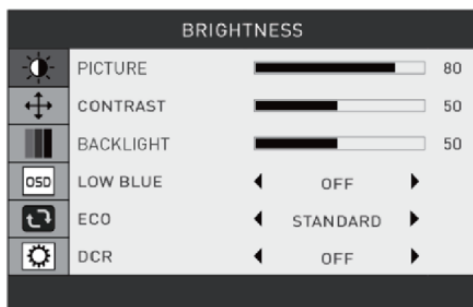
1. Connect the monitor to the input device via HDMI or VGA.
2. Connect the power cable to the monitor, then connect the other end directly to an electrical socket.
3. Use the power button to turn the monitor on.

## FreeSync

- In order to use this feature, ensure your hardware has FreeSync capability and the graphics drivers are fully up to date.
- After connecting, you may receive a prompt to enable the feature on your computer. If you do not receive the prompt, you may need to enable the function in your graphics card menu.
- See your graphics card manufacturer's documentation for instructions on how to turn on and/or enable FreeSync.

## On-Screen Display (OSD)

- The On-Screen Display (OSD) menu may be used to adjust your monitor's settings.
- Turn the monitor on and press the power button to view the OSD menu.
- When using the monitor for the first time, the monitor will configure optimal settings automatically.
- Press the power button to the right to enter the sub-menus.
- Press power button up and down to highlight an option, then press the power button to confirm the settings and exit the current screen.



## On-Screen Display (OSD) Functions

Main Menu	Sub-Menu	Options	Description
Brightness	Picture	~0-100	Adjust display brightness
	Contrast	~0-100	Adjust display contrast
	Blacklight	~0-100	Adjust display Blacklight
	Low blue	On	Enable/disable blue light reduction
		Off	
	ECO	STANDARD/ TEXT/GAME/ MOVIE/ FPS/RTS	Preset colour modes
DCR	On	Enable/disable dynamic contrast ratio	
	Off		
Image	Horizontal position	~0-100	Adjust video display area left to right (VGA only)
	Vertical position	~0-100	Adjust video display area up and down (VGA only)
	Clock	~0-100	Adjust display Clock
	Phase	~0-100	Adjust display Phase
	Aspect	Wide (16:9), 4:3	Adjust display Phase Aspect
	FreeSync	On/Off	Adjust display FreeSync On/Off
Colour	Warm mode	Red/green/blue	Adjust red/green/blue levels
	Cool mode	Red/green/blue	Adjust red/green/blue levels
	User mode	Red/green/blue	Adjust red/green/blue levels
	HDR mode	On/Off	Enable or disable HDR mode

OSD Setting	Language	English, 简体中文, 한국어, Русский, Español, Deutsch, Italiano, Français, Portugues, Turke, Polski, Nederlands	Set OSD language
	OSD H-Position	~0-100	Adjust OSD horizontal position
	OSD V-Position	~0-100	Adjust OSD vertical position
	OSD Transparency	~0-100	Set OSD overall transparency
	OSD Time Out	5~60	Set how long the OSD remains open after last input
Reset	Image	None	Restore VGA image defaults
	Colour	None	Automatically configure VGA colour settings
	Reset	None	Restore factory defaults
	Power down	On	Enable/disable Power down function
		Off	
Time count	10-90min	Adjust Time count	
Misc	Signal source	VGA/HDMI	Adjust input source

### ECO Modes

Press the power button to the left to switch ECO modes. These modes include STANDARD, TEXT, GAME, MOVIE, FPS and RTS and can be used to optimise settings according to your activity. Standard mode is suitable for most activities.



# SPECIFICATIONS

Screen size	32"
Aspect ratio	16:9
Brightness	300cd/m <sup>2</sup> (typical)
Panel	VA
Resolution	1920x1080
Refresh rate	75Hz
Response time	20ms(G to G)
Viewing angle	≥178°(H) / 178°(V)
Contrast ratio	3000:1
VESA mounting	75 x 75mm
Colours	16.7M
Signal input	HDMI 1.4 (x1), VGA (x1)
Power	100-240V~ 50/60Hz 1.1A
<b>Audio</b>	
Speakers	NA
Audio out	YES
<b>Accessories</b>	
Power cable	YES
HDMI cable	YES
<b>Additional functions</b>	
Low Blue Light	YES
Flicker Free	YES

<b>Physical dimensions</b>	
Dimensions (w. Stand)	712.14x520.14x224.97 (mm)
Dimensions (w/o Stand)	712.14x520.14x224.97 (mm)
Net weight	6.07kg
Gross weight	8.28kg

### **Need more information?**

We hope that this user guide has given you the assistance needed for a simple set-up.

For the most up-to-date guide for your product, as well as any additional assistance you may require, head online to **[help.kogan.com](https://help.kogan.com)**

**kogan.com**